

Individual mounting

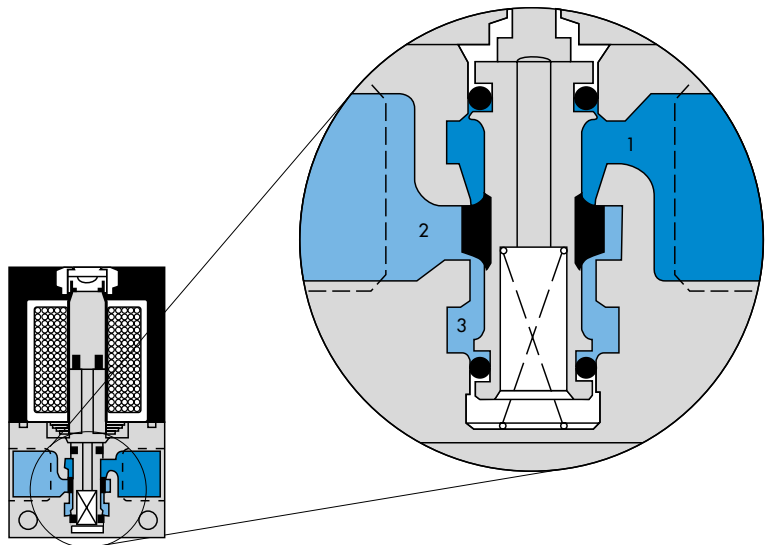
inline	
--------	--

Manifold mounting

stacking	sub-base	sub-base with pressure regulators	
----------	----------	-----------------------------------	--

Circuit bar mounting

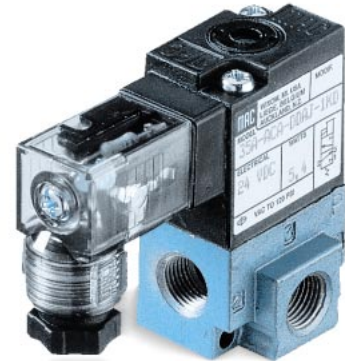
cylinder ports in base	with pressure regulators	"plug-in"	"plug-in" with pressure regulators	
------------------------	--------------------------	-----------	------------------------------------	--



Function	Port size	Flow (Max)	Individual mounting
3/2 NO-NC, 2/2 NO-NC	G1/8"	150 NI/min	inline

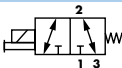
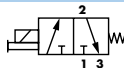
OPERATIONAL BENEFITS

1. Balanced poppet, immune to variations of pressure.
2. Short stroke with high flow.
3. The patented solenoid develops high shifting forces.
4. Powerful return spring.
5. Manual operator standard on all valves.
6. Burn-out proof solenoid on AC service.



HOW TO ORDER

Reset

Port size	Universal valve	NC only valve
		
G1/8"	35A-ACA-Dxxx-xxx	35A-ACB-Dxxx-xxx

SOLENOID OPERATOR >

D **XX X- X XX***

XX	Voltage	X	Wire length	X	Manual operator	XX	Electrical connection
AB	220V~/50Hz	A	45 cm (Flying leads)	1	Non-locking	KA	Square connector
AA	110V~/50Hz	J	Connector	2	Locking	KD	Square connector with light
AC	24V~/50Hz					JB	Rectangular connector
FB	24V=/1,8W					JD	Rectangular connector with light
DA	24V=/5,4W					BA	Flying leads
DF	24V=/12,7W						

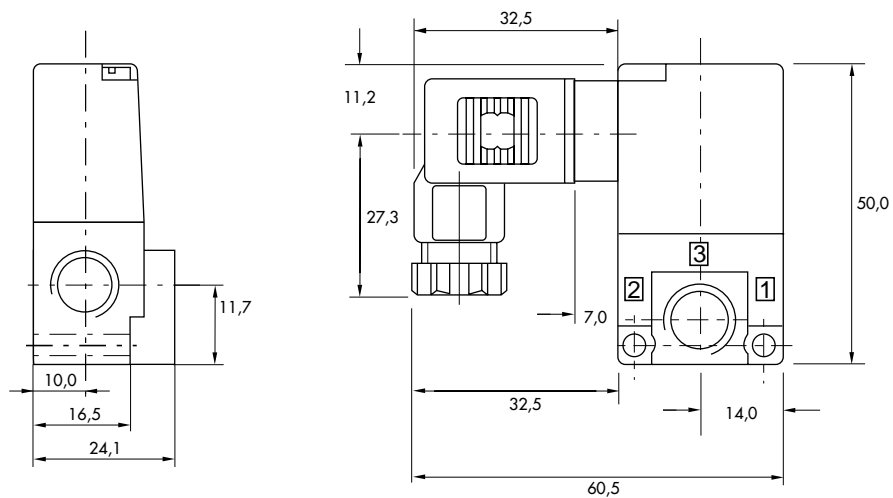
**T E C H N I C A L
D A T A**

Fluid :	Compressed air, vacuum, inert gases
Pressure range :	Vacuum to 8.5 bar
Lubrication :	Not required, if used select a medium aniline point lubricant (between 80°C and 100°C)
Filtration :	40 µ
Temperature range :	-18°C to +50°C
Orifice :	2 mm
Flow (at 6 bar, ΔP=1bar) :	1.8 W : 80 NI/min (C _v 0.08) - 5.4 to 12.7 W : 150 NI/min (C _v 0.15)
Leak rate :	50 cm ³ /min
Coil :	Epoxy encapsulated - class A wires - 100% ED (specify mod 0449)
Voltage range :	-15% to +10% of nominal voltage
Protection :	IP 65
Power :	- Inrush : 10.9 VA Holding : 7.7 VA = 1.8 to 12.7 W
Response times :	24 V=5.4 W Energize : 6 ms De-energize : 2 ms 50Hz/6 W Energize : 3-8 ms De-energize : 2-7 ms

Spare parts : • Solenoid operator (power ≥ 5.4 W) : 35A-000-DXXX-XXX, including mounting screws 35013.
 • Seal (between solenoid and valve body) : 16402.

Options : • NPTF threads. • High flow up to 250 NI/min, according to wattage.

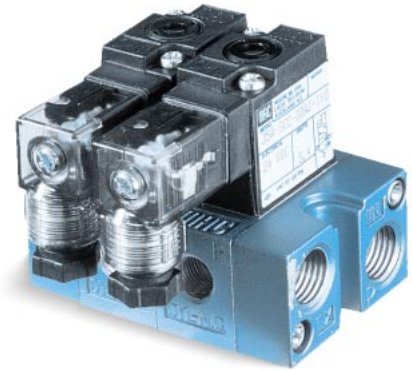
D I M E N S I O N S



Function	Port size	Flow (Max)	Manifold mounting
3/2 NO-NC, 2/2 NO-NC	M5 - G1/8"	160 NI/min	stacking



OPERATIONAL BENEFITS

1. Balanced poppet, immune to variations of pressure.
2. Short stroke with high flow.
3. The patented solenoid develops high shifting forces.
4. Powerful return spring.
5. Manual operator standard on all valves.
6. Burn-out proof solenoid on AC service.



HOW TO ORDER

Reset

Port size	NC only valve	NO only valve
		
G1/8"	35A-SCC-D xxx-xxx	35A-SCD-D xxx-xxx

SOLENOID OPERATOR >

D **XX X- X XX***

XX	Voltage	X	Wire length	X	Manual operator	XX	Electrical connection
AB	220V~/50Hz	A	45 cm (Flying leads)	1	Non-locking	KA	Square connector
AA	110V~/50Hz	J	Connector	2	Locking	KD	Square connector with light
AC	24V~/50Hz					BA	Flying leads
FB	24V=/1,8W						
DA	24V=/5,4W						
DF	24V=/12,7W						

End plate kit (Port size G1/4") : M-35001-01P

Note : upon request, manifolds are mounted at the factory.

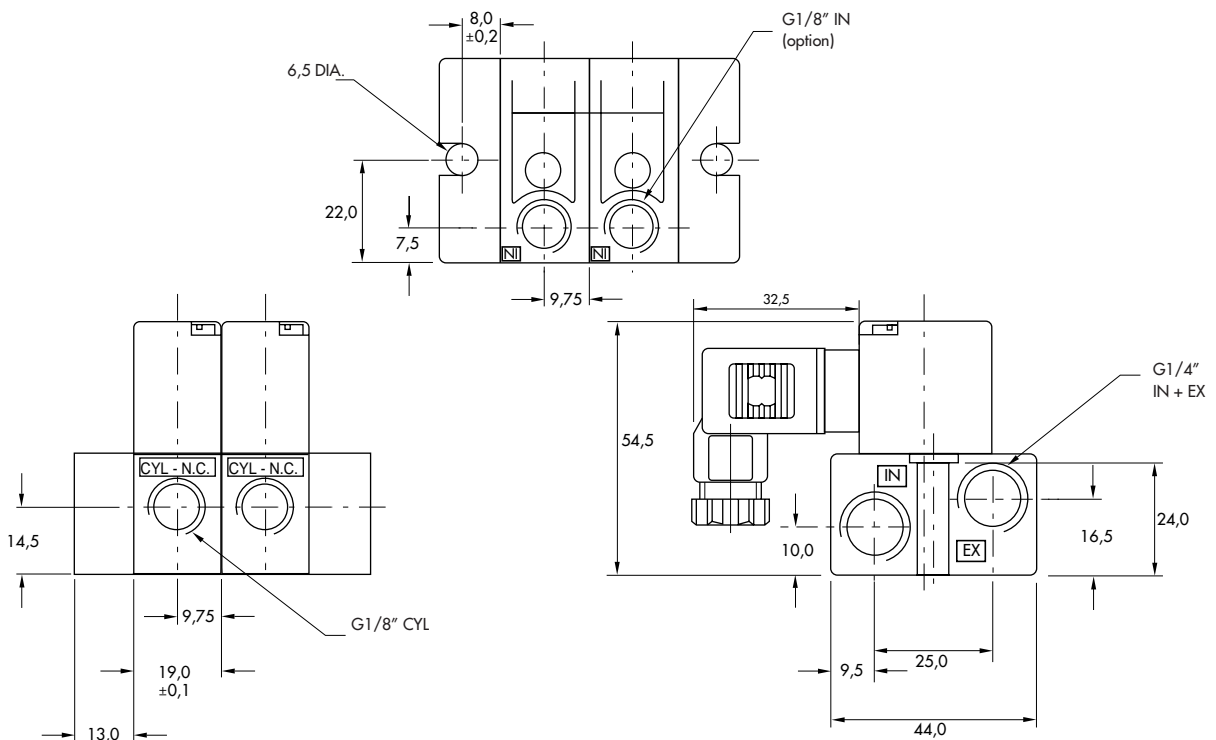
**TECHNICAL
D A T A**

Fluid :	Compressed air, vacuum, inert gases
Pressure range :	Vacuum to 8.5 bar
Lubrication :	Not required, if used select a medium aniline point lubricant (between 80°C and 100°C)
Filtration :	40 µ
Temperature range :	-18°C to +50°C
Orifice :	2 mm
Flow (at 6 bar, ΔP=1bar) :	1.8 W : 120 NI/min (C _v 0.12) - 5.4 to 12.7 W : 160 NI/min (C _v 0.16)
Leak rate :	50 cm ³ /min
Coil :	Epoxy encapsulated - class A wires - 100% ED (specify mod 0449)
Voltage range :	-15% to +10% of nominal voltage
Protection :	IP 65
Power :	- Inrush : 10.9 VA Holding : 7.7 VA = 1.8 to 12.7 W
Response times :	24 V=5.4 W Energize : 6 ms De-energize : 2 ms 50Hz/6 W Energize : 3-8 ms De-energize : 2-7 ms

Spare parts :
 • Solenoid operator (power ≥ 5.4 W) : 35A-000-DXXX-XXX, including mounting screws 35013.
 • Seal (between solenoid and valve body) : 16402. • Pressure seal (between valves) : 16433.
 • Tie-rod (x2) : 19813.

Options :
 • NPTF threads. • High flow up to 250 NI/min, according to wattage. • Isolation of inlet and/or exhaust.

DIMENSIONS



Function	Port size	Flow (Max)	Manifold mounting
3/2 NO-NC, 2/2 NO-NC	G 1/8"	100 NI/min	sub-base

OPERATIONAL BENEFITS



1. Balanced poppet, immune to variations of pressure.
2. Short stroke with high flow.
3. The patented solenoid develops high shifting forces.
4. Powerful return spring.
5. Manual operator standard on all valves.
6. Burn-out proof solenoid on AC service.



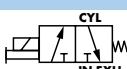
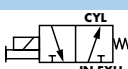
HOW TO ORDER

Reset

SIDE CYLINDER PORTS

Port size	NC only valve	NO only valve
		
Valve less base	35A-B00-Dxxx-xxx	35A-B00-Dxxx-xxx
M5 base	35A-BDE-Dxxx-xxx	35A-BDF-Dxxx-xxx
G 1/8" base	35A-BCE-Dxxx-xxx	35A-BCF-Dxxx-xxx

BOTTOM CYLINDER PORTS

Port size	NC only valve	NO only valve
		
Valve less base	35A-B00-Dxxx-xxx	35A-B00-Dxxx-xxx
M5 base	35A-BJE-Dxxx-xxx	35A-BJF-Dxxx-xxx
G 1/8" base	35A-BHE-Dxxx-xxx	35A-BHF-Dxxx-xxx

SOLENOID OPERATOR >

D **XX X- X XX***

XX	Voltage	X	Wire length	X	Manual operator	XX	Electrical connection
AB	220V~/50Hz	A	45 cm (Flying leads)	1	Non-locking	KA	Square connector
AA	110V~/50Hz	J	Connector	2	Locking	KD	Square connector with light
AC	24V~/50Hz					BA	Flying leads
FB	24V=/1,8W						
DA	24V=/5,4W						
DF	24V=/12,7W						

End plate kit (Port size : G1/4") : M-35003-01P

Note : upon request, manifolds are mounted at the factory.

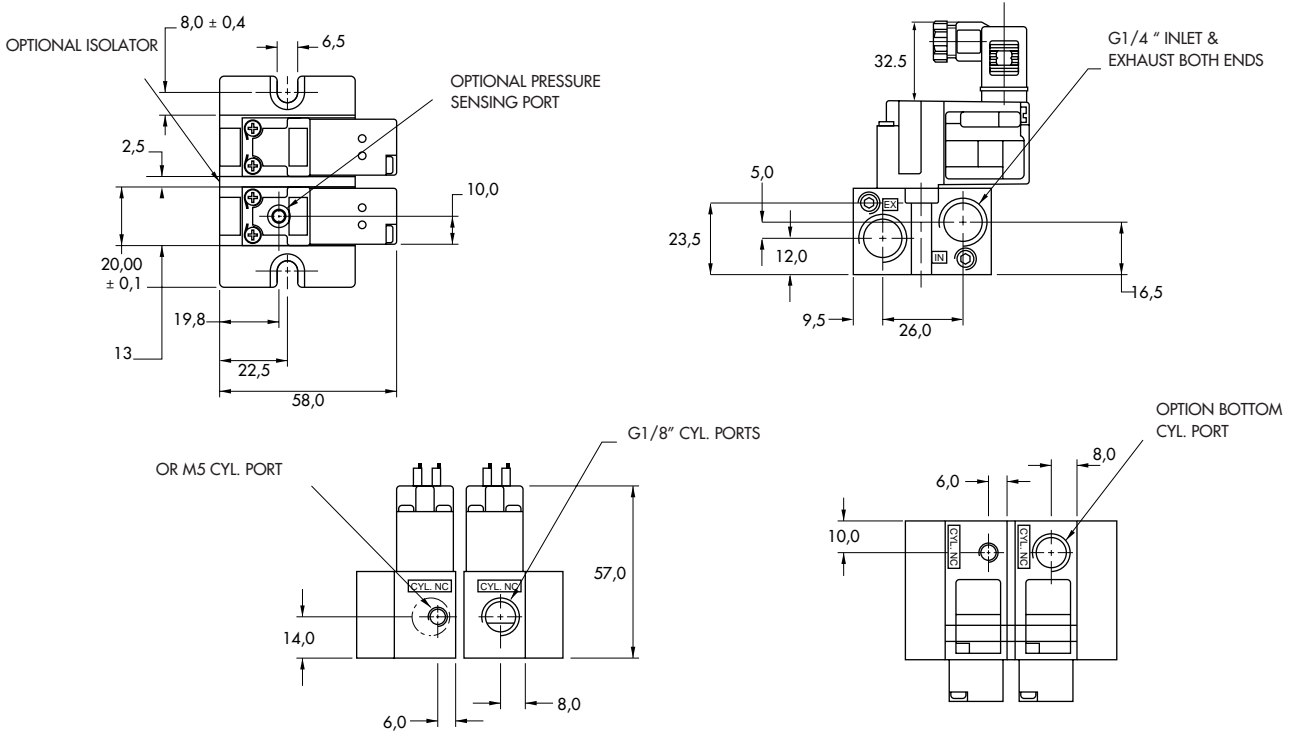
**TECHNICAL
DATA**

Fluid :	Compressed air, vacuum, inert gases
Pressure range :	Vacuum to 8.5 bar
Lubrication :	Not required, if used select a medium aniline point lubricant (between 80°C and 100°C)
Filtration :	40 µ
Temperature range :	-18°C to +50°C
Orifice :	2 mm
Flow (at 6 bar, ΔP=1bar) :	1.8 W : 90 NI/min (C _v 0.09) - 5.4 to 12.7 W : 100 NI/min (C _v 0.1)
Leak rate :	50 cm ³ /min
Coil :	Epoxy encapsulated - class A wires - 100% ED (specify mod 0449)
Voltage range :	-15% to +10% of nominal voltage
Protection :	IP 65
Power :	- Inrush : 10.9 VA Holding : 7.7 VA = 1.8 to 12.7 W
Response times :	24 V=5.4 W Energize : 6 ms De-energize : 2 ms 50Hz/6 W Energize : 3-8 ms De-energize : 2-7 ms

Spare parts : • Solenoid operator (power ≥ 5.4 W) : 35A-000-DXXX-XXX, including mounting screws 35013.
 • Seal (between solenoid and valve body) : 16402. • Pressure seal (between valve and base) : 16447.
 • Pressure seal (between bases) : 16461. • Tie-rod (x2) : 19753.

Options : • NPTF threads. • High flow up to 180 NI/min, according to wattage. • Isolation of inlet and/or exhaust.

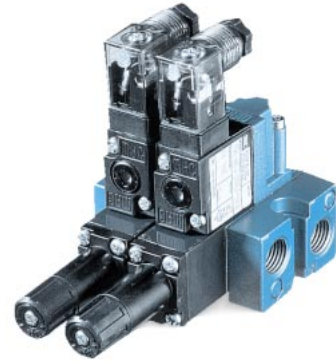
DIMENSIONS



Function	Port size	Flow (Max)	Manifold mounting
3/2 NO-NC, 2/2 NO-NC	M5 - G1/8"	100 NI/min	sub-base with pressure regulators

OPERATIONAL BENEFITS

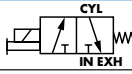
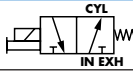
1. Balanced poppet, immune to variations of pressure.
2. Short stroke with high flow.
3. The patented solenoid develops high shifting forces.
4. Powerful return spring.
5. Manual operator standard on all valves.
6. Burn-out proof solenoid on AC service.





HOW TO ORDER

Reset

SIDE CYLINDER PORTS

Port size	NC only valve	NO only valve
		
Valve less base	35A-B00-Dxxx-xxx	35A-B00-Dxxx-xxx
M5 base	35A-BDJ-Dxxx-xxx	35A-BDK-Dxxx-xxx
G 1/8" base	35A-BCJ-Dxxx-xxx	35A-BCK-Dxxx-xxx

BOTTOM CYLINDER PORTS

Port size	NC only valve	NO only valve
		
Valve less base	35A-B00-Dxxx-xxx	35A-B00-Dxxx-xxx
M5 base	35A-BJJ-Dxxx-xxx	35A-BJK-Dxxx-xxx
G 1/8" base	35A-BHJ-Dxxx-xxx	35A-BHK-Dxxx-xxx

SOLENOID OPERATOR >

D **XX X- X XX***

XX	Voltage	X	Wire length	X	Manual operator	XX	Electrical connection
AB	220V~/50Hz	A	45 cm (Flying leads)	1	Non-locking	KA	Square connector
AA	110V~/50Hz	J	Connector	2	Locking	KD	Square connector with light
AC	24V~/50Hz					BA	Flying leads
FB	24V=/1,8W						
DA	24V=/5,4W						
DF	24V=/12,7W						

End plate kit (Port size : G1/4") : M-35003-01P

Note : upon request, manifolds are mounted at the factory.

TECHNICAL DATA

Fluid :	Compressed air, vacuum, inert gases
Pressure range :	Vacuum to 8.5 bar
Lubrication :	Not required, if used select a medium aniline point lubricant (between 80°C and 100°C)
Filtration :	40 µ
Temperature range :	-18°C to +50°C
Orifice :	2 mm
Flow (at 6 bar, ΔP=1bar) :	1.8 W : 90 NI/min (C _v 0.09) - 5.4 to 12.7 W : 100 NI/min (C _v 0.1)
Leak rate :	50 cm ³ /min
Coil :	Epoxy encapsulated - class A wires - 100% ED (specify mod 0449)
Voltage range :	-15% to +10% of nominal voltage
Protection :	IP 65
Power :	- Inrush : 10.9 VA Holding : 7.7 VA = 1.8 to 12.7 W
Response times :	24 V=5.4 W Energize : 6 ms De-energize : 2 ms 50Hz/6 W Energize : 3-8 ms De-energize : 2-7 ms

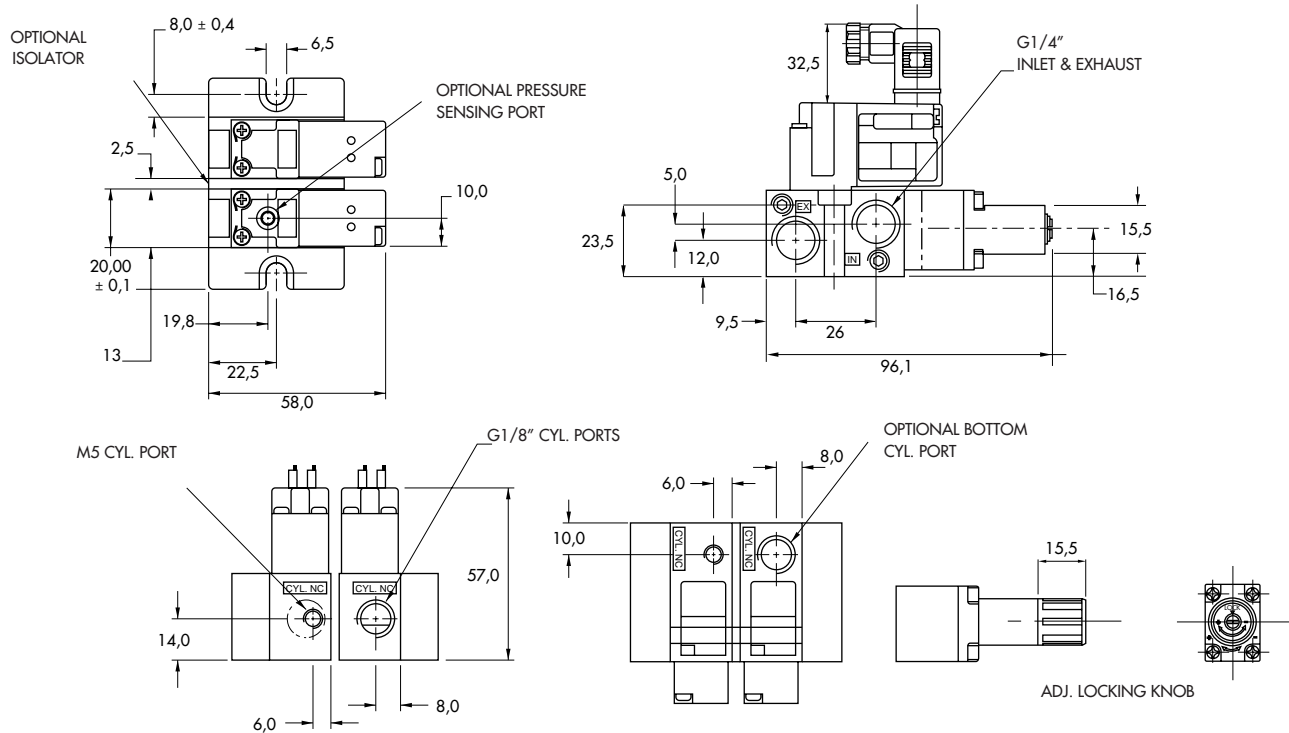
Spare parts :

- Solenoid operator (power ≥ 5.4 W) : 35A-000-DXXX-XXX, including mounting screws 35013.
- Seal (between solenoid and valve body) : 16402. • Pressure seal (between valve and base) : 16447.
- Pressure seal (between bases) : 16461. • Tie-rod (x2) : 19753. • Pressure regulator : 35A-00M.

Options :

- NPTF threads. • High flow up to 180 NI/min, according to wattage.
- Isolation of inlet and/or exhaust.

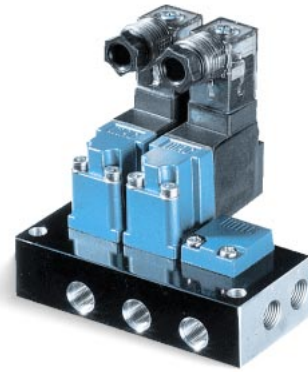
DIMENSIONS



Function	Port size	Flow (Max)	Circuit bar mounting
3/2 NO-NC, 2/2 NO-NC	M5 - G1/8"	90 NI/min	cylinder ports in base


OPERATIONAL BENEFITS

1. Balanced poppet, immune to variations of pressure.
2. Short stroke with high flow.
3. The patented solenoid develops high shifting forces.
4. Powerful return spring.
5. Manual operator standard on all valves.
6. Burn-out proof solenoid on AC service.



HOW TO ORDER Reset

HOW TO ORDER VALVE FOR CIRCUIT BAR MOUNTING

	Universal valve
Valve less base	 35A-B00-DXXX-XXX

SOLENOID OPERATOR >

D **XX X- X XX***

XX	Voltage	X	Wire length	X	Manual operator	XX	Electrical connection
AB	220V~/50Hz	A	45 cm(Flying leads)	1	Non-locking	KA	Square connector
AA	110V~/50Hz	J	Connector	2	Locking	KD	Square connector with light
AC	24V~/50Hz					BA	Flying leads
FB	24V=/1,8W						
DA	24V=/5,4W						
DF	24V=/12,7W						

HOW TO ORDER CIRCUIT BAR**

Port size	Side cylinder ports Spacing 21 mm	Bottom cylinder ports Spacing 21 mm
G1/8"	EBM35A-001C- XX	EBM35A-002C- XX
M5	EBM35A-001D- XX	EBM35A-002D- XX

** Other options available. Consult factory.

Number of stations (03=3 stations)

Note : click for valves mounted on base at the factory (add - 9 to the model number).

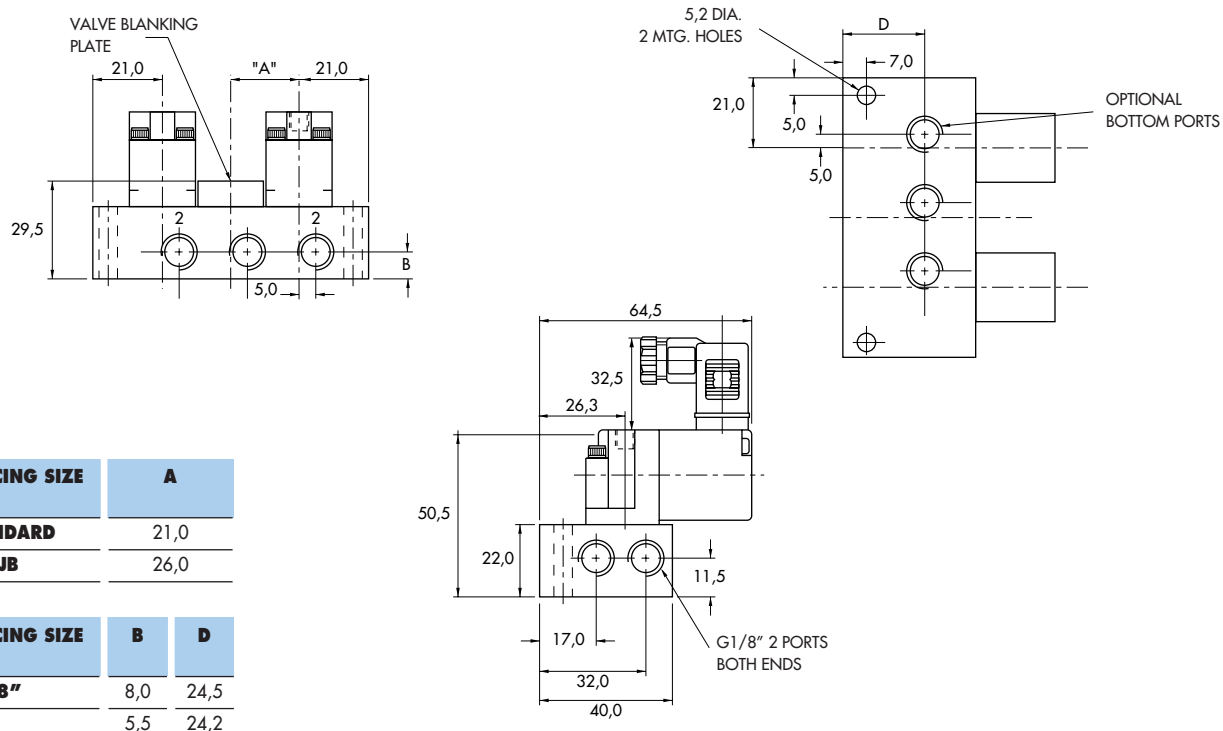
**TECHNICAL
DATA**

Fluid :	Compressed air, vacuum, inert gases
Pressure range :	Vacuum to 8.5 bar
Lubrication :	Not required, if used select a medium aniline point lubricant (between 80°C and 100°C)
Filtration :	40 µ
Temperature range :	-18°C to +50°C
Orifice :	2 mm
Flow (at 6 bar, ΔP=1bar) :	1.8 W : 80 NI/min (C _v 0.08) - 5.4 to 12.7 W : 90 NI/min (C _v 0.09)
Leak rate :	50 cm ³ /min
Coil :	Epoxy encapsulated - class A wires - 100% ED (specify mod 0449)
Voltage range :	-15% to +10% of nominal voltage
Protection :	IP 65
Power :	- Inrush : 10.9 VA Holding : 7.7 VA = 1.8 to 12.7 W
Response times :	24 V=5.4 W Energize : 6 ms De-energize : 2 ms 50Hz/6 W Energize : 3-8 ms De-energize : 2-7 ms

Spare parts :
 • Solenoid operator (power ≥ 5.4 W) : 35A-000-DXXX-XXX including mounting screws 35013.
 • Seal (between solenoid and valve body) : 16402. • Pressure seal (between valve and bar) : 16447.
 • Blanking plate : M-35004.

Options :
 • NPTF threads. • High flow up to 170 NI/min, according to wattage. • Isolation of inlet and/or exhaust.

DIMENSIONS



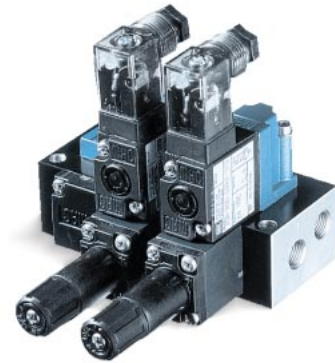
SPACING SIZE	A
STANDARD	21,0
FOR JB	26,0

SPACING SIZE	B	D
G1/8"	8,0	24,5
M5	5,5	24,2

Function	Port size	Flow (Max)	Circuit bar mounting
3/2 NO-NC, 2/2 NO-NC	M5 - G1/8"	90 NI/min	with pressure regulators

OPERATIONAL BENEFITS

1. Balanced poppet, immune to variations of pressure.
2. Short stroke with high flow.
3. The patented solenoid develops high shifting forces.
4. Powerful return spring.
5. Manual operator standard on all valves.
6. Burn-out proof solenoid on AC service.



HOW TO ORDER

Reset

HOW TO ORDER VALVE FOR CIRCUIT BAR MOUNTING

	Universal valve
	
Valve less base	35A-B00-Dxxx-xxx

SOLENOID OPERATOR >

D **XX X- X XX***

XX	Voltage	X	Wire length	X	Manual operator	XX	Electrical connection
AB	220V~/50Hz	A	45 cm (Flying leads)	1	Non-locking	KA	Square connector
AA	110V~/50Hz	J	Connector	2	Locking	KD	Square connector with light
AC	24V~/50Hz					BA	Flying leads
FB	24V=/1,8W						
DA	24V=/5,4W						
DF	24V=/12,7W						

HOW TO ORDER CIRCUIT BAR WITH PRESSURE REGULATORS (TO BE ORDERED SEPARATELY)**

Port size Side cylinder ports	Spacing 26 mm	Spacing 40 mm (with gauge port)
M5	EBM35A-013D-xx	EBM35A-023D-xx
G1/8"	EBM35A-013C-xx	EBM35A-023C-xx
Port size Bottom cylinder ports	Spacing 26 mm	Spacing 40 mm (with gauge port)
M5	EBM35A-014D-xx	EBM35A-024D-xx
G1/8"	EBM35A-014C-xx	EBM35A-024C-xx

** Other options available. Consult factory.

Number of stations (03=3 stations)

Note : click for valves mounted on base at the factory (add - 9 to the model number).

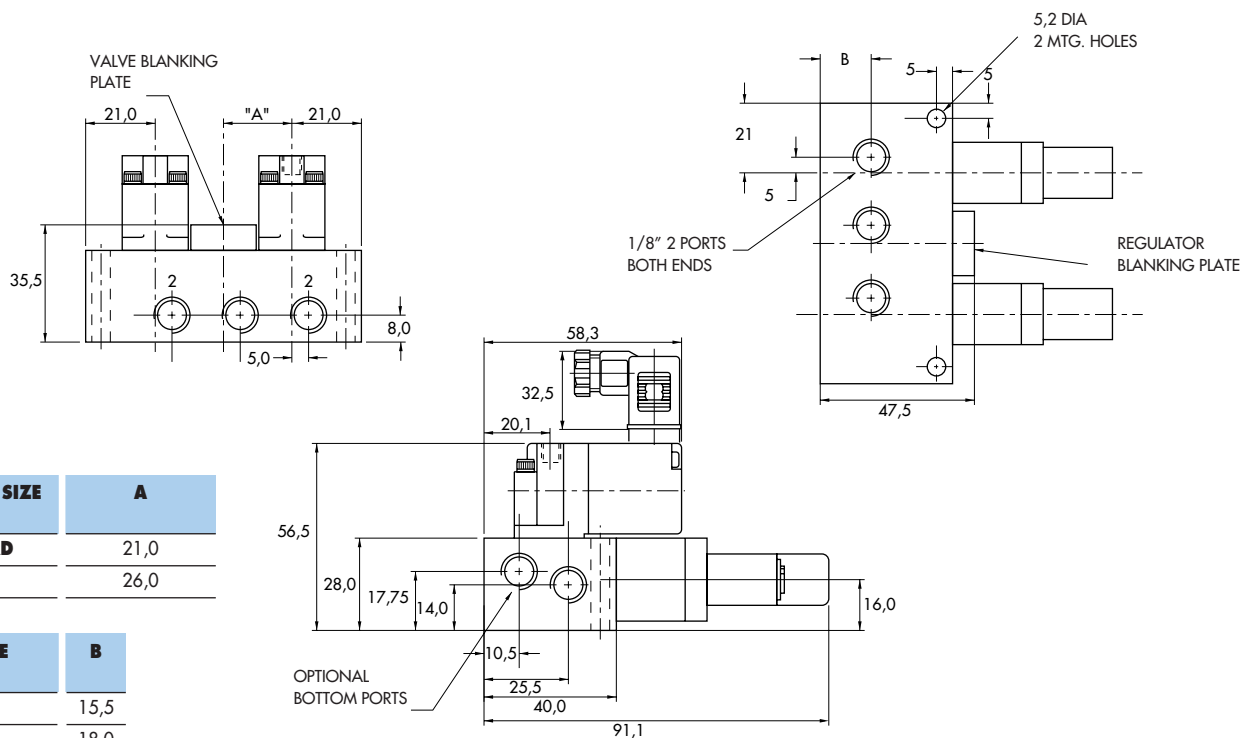
**TECHNICAL
DATA**

Fluid :	Compressed air, vacuum, inert gases
Pressure range :	Vacuum to 8.5 bar
Lubrication :	Not required, if used select a medium aniline point lubricant (between 80°C and 100°C)
Filtration :	40 µ
Temperature range :	-18°C to +50°C
Orifice :	2 mm
Flow (at 6 bar, ΔP=1bar) :	1.8 W : 80 NI/min (C _v 0.08) - 5.4 to 12.7 W : 90 NI/min (C _v 0.09)
Leak rate :	50 cm ³ /min
Coil :	Epoxy encapsulated - class A wires - 100% ED (specify mod 0449)
Voltage range :	-15% to +10% of nominal voltage
Protection :	IP 65
Power :	- Inrush : 10.9 VA Holding : 7.7 VA = 1.8 to 12.7 W
Response times :	24 V=5.4 W Energize : 6 ms De-energize : 2 ms 50Hz/6 W Energize : 3-8 ms De-energize : 2-7 ms

Spare parts :
 • Solenoid operator (power ≥ 5.4 W) : 35A-000-DXXX-XXX, including mounting screws 35013.
 • Seal (between solenoid and valve body) : 16402. • Pressure seal (between valve and base) : 16447.
 • Blanking plate valve : M-35004. • Blanking plate regulator : M-35005. • Pressure regulator : 35A-00M.

Options :
 • NPTF threads. • High flow up to 170 NI/min, according to wattage.
 • Isolation of inlet and/or exhaust.

DIMENSIONS



SPACING SIZE	A
STANDARD	21,0
FOR JB	26,0

PORT SIZE	B
G1/8"	15,5
M5	18,0

Function	Port size	Flow (Max)	Circuit bar mounting
3/2 NO-NC, 2/2 NO-NC	M5 - G1/8"	90 NI/min	"plug-in"

OPERATIONAL BENEFITS


1. Balanced poppet, immune to variations of pressure.
2. Short stroke with high flow.
3. The patented solenoid develops high shifting forces.
4. Powerful return spring.
5. Manual operator standard on all valves.
6. Burn-out proof solenoid on AC service.



HOW TO ORDER

Reset

HOW TO ORDER VALVE FOR "PLUG-IN" CIRCUIT BAR

	Universal valve
	
Valve less base	35A-B00-DxxJ-xFM

SOLENOID OPERATOR ►

D **XX** J- **X** FM *

XX Voltage	X Manual operator
AB 220V~/50Hz	1 Non-locking
AA 110V~/50Hz	2 Locking
AC 24V~/50Hz	
FB 24V=/1,8W	
DA 24V=/5,4W	
DF 24V=/12,7W	

HOW TO ORDER "PLUG-IN" CIRCUIT BAR **

Port size	Spacing mm	Side cylinder ports	Bottom cylinder ports
M5	21	ECD35A-001D-A0-xx*	ECD35A-002D-A0-xx*
G1/8"	21	ECD35A-001C-A0-xx*	ECD35A-002C-A0-xx*

* without light (AO)
with light 240V~/50 Hz (AB)
with light 24V= (AD)

Number of stations (03=3 stations)

** Other options available. Consult factory.

Note : for valves mounted on base at the factory (add - 9 to the model number).

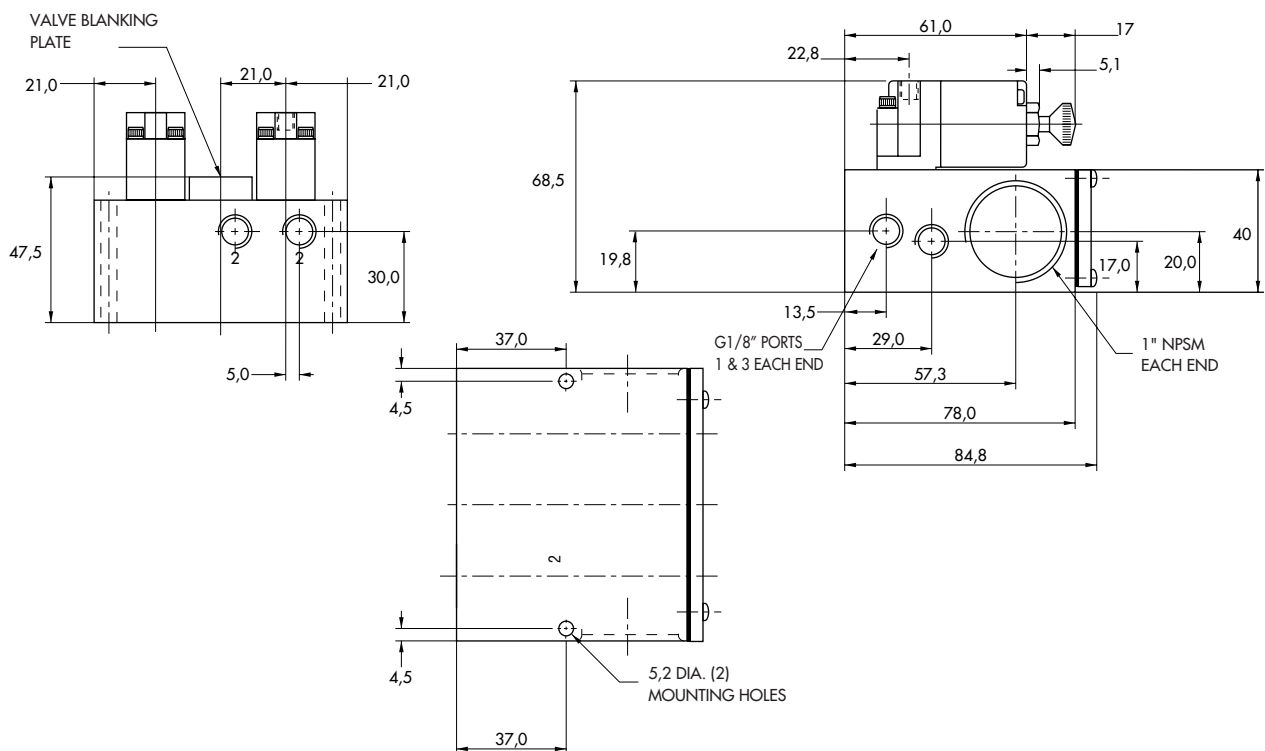
**TECHNICAL
DATA**

Fluid :	Compressed air, vacuum, inert gases
Pressure range :	Vacuum to 8.5 bar
Lubrication :	Not required, if used select a medium aniline point lubricant (between 80°C and 100°C)
Filtration :	40 µ
Temperature range :	-18°C to +50°C
Orifice :	2 mm
Flow (at 6 bar, ΔP=1bar) :	1.8 W : 80 NI/min (C _v 0.08) - 5.4 to 12.7 W : 90 NI/min (C _v 0.09)
Leak rate :	50 cm ³ /min
Coil :	Epoxy encapsulated - class A wires - 100% ED (specify mod 0449)
Voltage range :	-15% to +10% of nominal voltage
Protection :	IP 65
Power :	~ Inrush : 10.9 VA Holding : 7.7 VA DC : 1.8 to 12.7 W
Response times :	24 V=5.4 W Energize : 6 ms De-energize : 2 ms 50Hz/6 W Energize : 3-8 ms De-energize : 2-7 ms

Spare parts :
 • Solenoid operator (power ≥ 5.4 W) : 35A-000-DXXJ-XFM including mounting screws 35013.
 • Seal (between solenoid and valve body) : 16402. • Pressure seal (between valve and bar) : 16447.
 • Blanking plate : M-35004.

Options :
 • NPTF threads. • High flow up to 170 NI/min, according to wattage.
 • Isolation of inlet and/or exhaust.

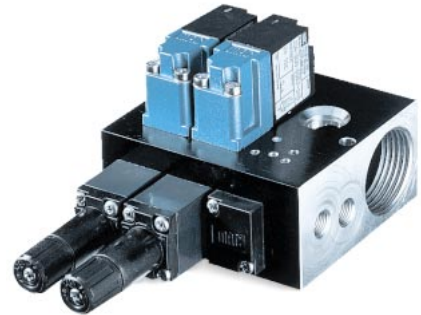
DIMENSIONS



Function	Port size	Flow (Max)	Circuit bar mounting
3/2 NO-NC, 2/2 NO-NC	M5 - G1/8"	90 NI/min	"plug-in" with pressure regulators

OPERATIONAL BENEFITS

1. Balanced poppet, immune to variations of pressure.
2. Short stroke with high flow.
3. The patented solenoid develops high shifting forces.
4. Powerful return spring.
5. Manual operator standard on all valves.
6. Burn-out proof solenoid on AC service.



HOW TO ORDER

Reset

HOW TO ORDER VALVE FOR "PLUG-IN" CIRCUIT BAR

	Universal valve
	
Valve less base	35A-B00-DxxJ-xFM

SOLENOID OPERATOR ▶

D **XX** J- **X** FM *

XX Voltage	X Manual operator
AB 220V~/50Hz	1 Non-locking
AA 110V~/50Hz	2 Locking
AC 24V~/50Hz	
FB 24V=/1,8W	
DA 24V=/5,4W	
DF 24V=/12,7W	

HOW TO ORDER "PLUG-IN" CIRCUIT BAR WITH PRESSURE REGULATORS (TO BE ORDERED SEPARATELY) **

Port size	Spacing mm	Bottom cylinder ports
M5	21	ECD35A-004D-A0-xx*
G1/8"	21	ECD35A-004C-A0-xx*

* without light (AO)
with light 240V~/50Hz (AB)
with light 24V= (AD)

Number of stations (03=3 stations)

** Other options available. Consult factory.

Note : click for valves mounted on base at the factory (add - 9 to the model number).

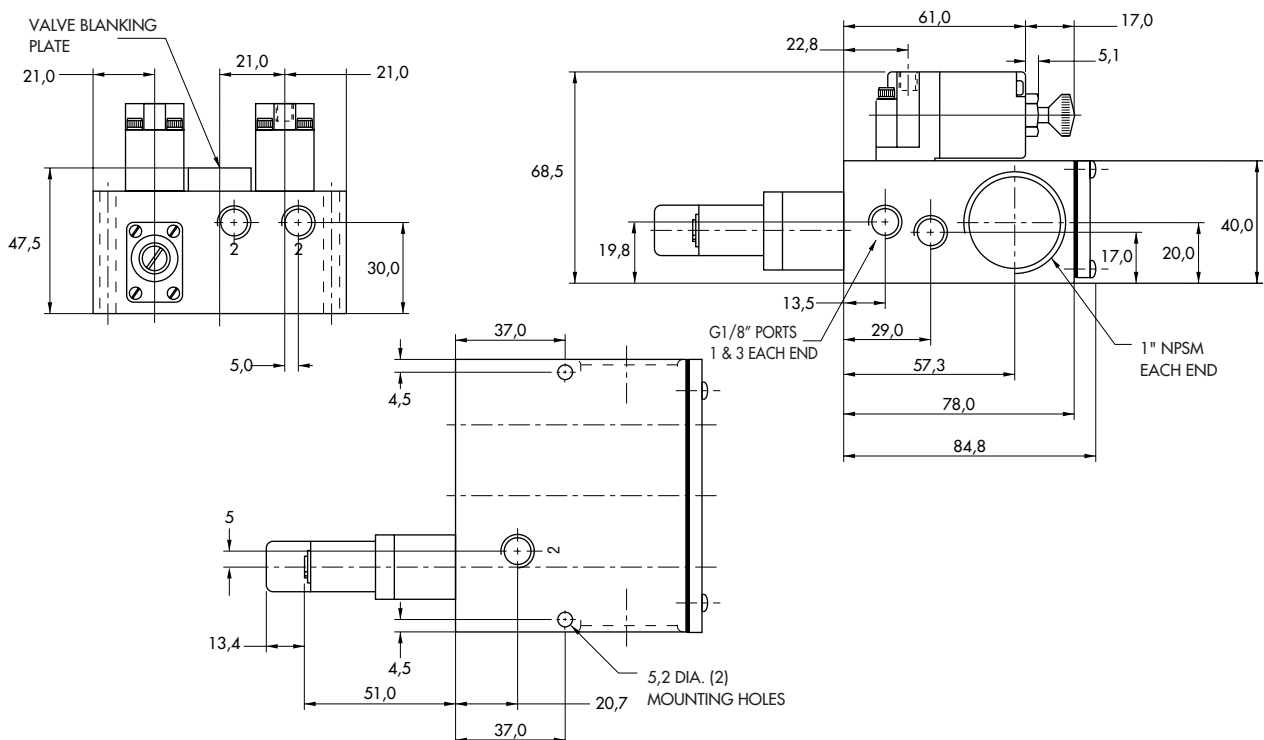
**TECHNICAL
DATA**

Fluid :	Compressed air, vacuum, inert gases
Pressure range :	Vacuum to 8.5 bar
Lubrication :	Not required, if used select a medium aniline point lubricant (between 80°C and 100°C)
Filtration :	40 µ
Temperature range :	-18°C to +50°C
Orifice :	2 mm
Flow (at 6 bar, ΔP=1bar) :	1.8 W : 80 NI/min (C _v 0.08) - 5.4 to 12.7 W : 90 NI/min (C _v 0.09)
Leak rate :	50 cm ³ /min
Coil :	Epoxy encapsulated - class A wires - 100% ED (specify mod 0449)
Voltage range :	-15% to +10% of nominal voltage
Protection :	IP 65
Power :	- Inrush : 10.9 VA Holding : 7.7 VA = 1.8 to 12.7 W
Response times :	24 V=/5.4 W Energize : 6 ms De-energize : 2 ms 50Hz/6 W Energize : 3-8 ms De-energize : 2-7 ms

Spare parts :
 • Solenoid operator (power ≥ 5.4 W) : 35A-000-DXXJ-XFM including mounting screws 35013.
 • Seal (between solenoid and valve body) : 16402. • Pressure seal (between valve and bar) : 16447.
 • Blanking plate valve : E054. • Blanking plate regulator : M-35005. • Pressure regulator : 35A-00M.

Options :
 • NPTF threads. • High flow up to 170 NI/min, according to wattage.
 • Isolation of inlet and/or exhaust.

DIMENSIONS



Codification table for voltages / Wire length / Manual operators / Electrical connections

VALVE CODE >

-DXX X - X XX
1 2 3 4

OPTIONS AVAILABLE FOR

- Solenoid valves 35 & 45 Series

- Pilot operated valves with pilots type 35 Series
Series : 82

1. VOLTAGE

- D XX X - X XX	VOLTAGE
AA	120 V~/60 Hz - 110 V/50 Hz
AB	240 V~/60 Hz - 220 V/50 Hz
AC	24 V~/60 Hz - 24 V/50 Hz
AD	24 V~/60 Hz
AE	200 V~/60 Hz
AF	240 V~/50 Hz
AG	240 V~/50 Hz
DA	24 V=/5,4 W
DB	12 V=/5,4 W
DC	12 V=/7,5 W
DD	24 V=/7,3 W
DE	12 V=/12,7 W CLSF
DF	24 V=/12,7 W CLSF
DK	110 V=/4,7 W
DL	64 V=/6 W
DM	36 V=/5,3 W
DN	6 V=/6 W
DP	48 V=/5,8 W
DU	24 V=/6 W
EA	12 V=/6 W
FA	12 V=/1,8 W
FB	24 V=/1,8 W
FE	12 V=/2,4 W
FF	24 V=/2,4 W

2. WIRE LENGTH

- D XX X - X XX	WIRE LENGTH
A	45 cm - 18"
B	60 cm - 24"
C	90 cm - 36"
D	120 cm - 48"
E	180 cm - 72"
F	240 cm - 96"
J	For external plug-in connector
P	For plug-in valves (82 Series only)

3. MANUAL OPERATOR

- D XX X - X XX MANUAL OPERATOR

0	No operator
1	Non-locking recessed
2	Locking recessed
3	Non-locking extended
4	Locking extended

4. ELECTRICAL CONNECTION

- D XX X - X XX ELECTRICAL CONNECTION

BA	Flying leads
BK	BA with protection diode
BL	BA with protection varistor
CA	1/2" NPS conduit
JB	Rectangular connector
JD	Rectangular connector with light
JM	Rectangular connector, male only
KA	Square connector
KB	Square connector with protection diode
KC	Square connector with protection varistor
KD	Square connector with light
KE	Square connector with light and protection diode
KF	Square connector with light and protection varistor
KJ	Square connector (male only)
KK	Square connector with protection diode (male only)
KL	Square connector with protection varistor (male only)
MA	Electrical common conduit
TA	Dual tabs
TB	TA with protection diode
TD	TA with light
TE	TA with light and protection diode
TJ	Dual tabs (male only)
TK	TJ with protection diode
TM	TJ with light
TN	TJ with light and protection diode
DA*	Plug-in connector
DK*	DA with protection diode
DL*	DA with protection varistor

* To be used with 82 Series only